

# Condensing Unit Technical Data Sheet

**Model** CMLY60LAb\_N  
**Voltage** 220-240V 50Hz ~1  
**Refrigerant** R404A

## APPLICATION

Application	Low Back Pressure
Refrigerant	R404A
Evaporating Temp.	-40,0 °C to -10,0 °C
Expansion	Capillar/Valve
Comp. Cooling	Fan cooled
Max. ambient temp.	43,0 °C

## COMPRESSOR

Displacement	5,98 cm <sup>3</sup>
Diameter	20,88 mm
Stroke	17,47 mm
Oil type	ISO VG 32 ESTER
Oil charge	350 cm <sup>3</sup>

## MOTOR

Nominal Power	1/5 hp
Voltage/Frequency	220-240V 50Hz
Voltage range	187-264 V
Type	CSR
Phase number	1 PH
Locked Rotor Amps (LRA)	10,00 A
Max. Cont. Current (MCC)	2,50 A
Main W. resist. at 25°C	9,58 Ω
Start W. resist. at 25°C	17,00 Ω

## NOMINAL PERFORMANCE

Cooling Capacity	335 W
COP	1,36 W/W
EER	1,17 kCal/Wh
Input Power	247 W
Current	0,84 A

## ASHRAE

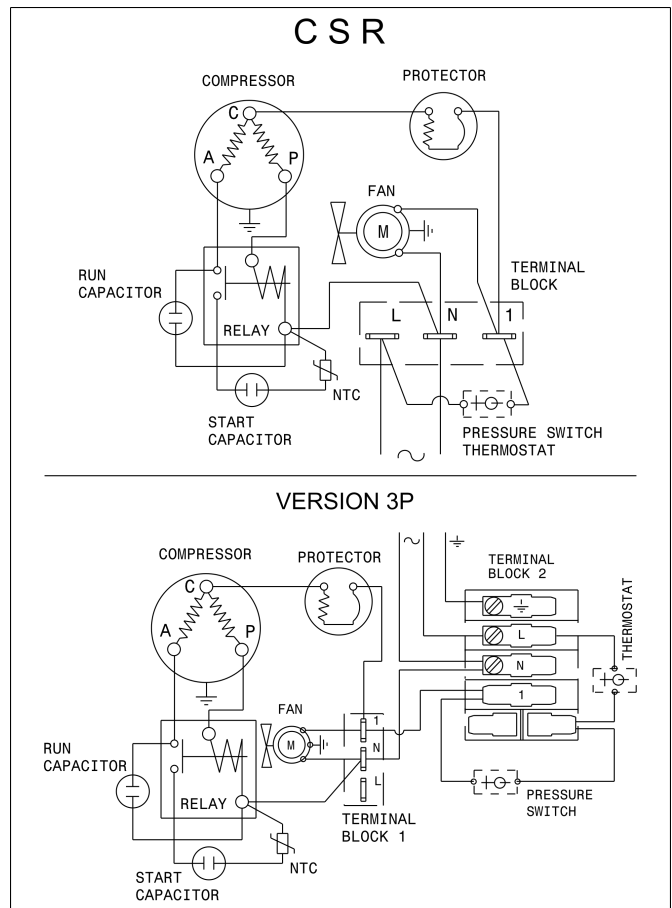
## TEST CYCLE CONDITIONS

	LBP
Evaporating temp. (T <sub>e</sub> )	-23,3 °C
Condensing temp. (T <sub>c</sub> )	55,0 °C
Liquid temp. (T <sub>liq.</sub> )	32,0 °C
Ambient temp. (T <sub>amb.</sub> )	32,0 °C
Suction temp. (T <sub>suction</sub> )	32,0 °C
Voltage/Frequency	220 V 50 Hz

## CONDENSER AND FAN DATA

Condenser type	CU-AL
Condenser model	7T 2R
Fan blade (Ø mm / °)	172 / 28
Fan motor	5W 230V 50/60Hz

## WIRING DIAGRAM



## REFRIGERATION CAPACITY (W) Evaporating Temperature (°C)

Model	Motor	-40	-35	-30	-25	-23.3			-10
						W	Winp	A	
CMLY60LAb_N	CSR	147	194	249	312	335	247	0.84	548

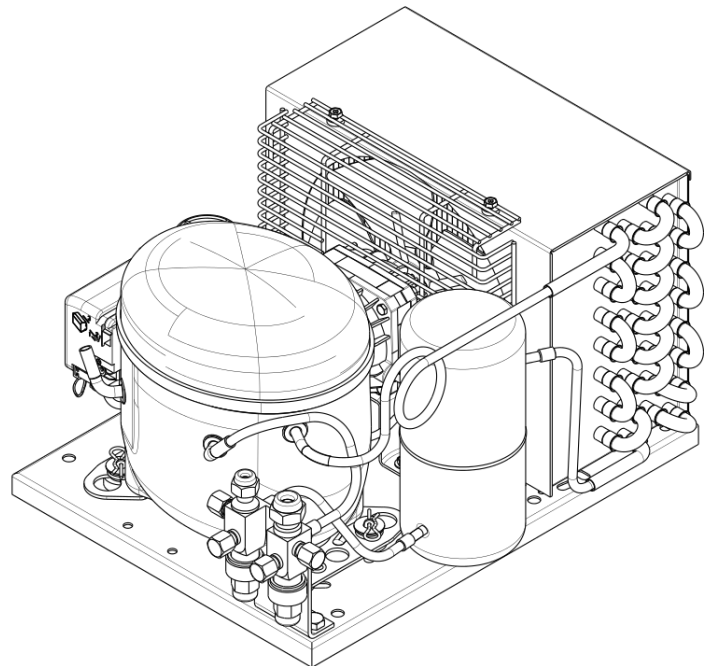
ASHRAE LBP: Condensing temperature: 55°C, Liquid temperature: 32°C, Suction temperature: 32°C, Ambient temperature: 32°C

# Condensing Unit Technical Data Sheet

## VERSIONS

VERSION 1	VERSION 2	VERSION 3	VERSION 3P	VERSION 4
<b>Tube</b>	<b>Service valve</b>	<b>Service valve and receiver</b>	<b>Service valve, receiver, pressure switch</b>	<b>Schrader valve on the service port</b>
Suction tube internal diam.: 6,5 mm Discharge tube internal diam.: 4,9 mm Net Weight: 16,2 Kg	Suction valve: 3/8" Discharge valve: 1/4" Net Weight: 16,7 Kg	Receiver vol.: 0,9 l Suction valve: 3/8" Discharge valve: 1/4" Net Weight: 17,0 Kg	Receiver vol.: 0,9 l Suction valve: 3/8" Discharge valve: 1/4" Net Weight: 18,1 Kg	Suction tube internal diam.: 6,5 mm Discharge tube internal diam.: 4,9 mm Net Weight: 16,2 Kg

## DIMENSIONS (Version 3 drawing)



VERSION 1-4 (WxLxH) (mm)	VERSION 2 (WxLxH) (mm)	VERSION 3 (WxLxH) (mm)	VERSION 3P (WxLxH) (mm)
305x385x215	315x425x215	330x425x215	330x435x245