

Condensing Unit Technical Data Sheet

Model CGPY14RAb_N
Voltage 220-240V 50Hz ~1
Refrigerant R134a

APPLICATION

Application High-Medium Back Pressure
 Refrigerant R134a
 Evaporating Temp. -25,0 °C to 10,0 °C
 Expansion Capillar/Valve
 Comp. Cooling Fan cooled
 Max. ambient temp. 43,0 °C

COMPRESSOR

Displacement 14,32 cm³
 Diameter 29,37 mm
 Stroke 21,13 mm
 Oil type ISO VG 32 ESTER
 Oil charge 400 cm³

MOTOR

Nominal Power 3/8 hp
 Voltage/Frequency 220-240V 50Hz
 Voltage range 187-264 V
 Type CSR
 Phase number 1 PH
 Locked Rotor Amps (LRA) 16,00 A
 Max. Cont. Current (MCC) 5,20 A
 Main W. resist. at 25°C 4,68 Ω
 Start W. resist. at 25°C 10,50 Ω

NOMINAL PERFORMANCE

| | ASHRAE |
|------------------|--------------|
| Cooling Capacity | 1.270 W |
| COP | 2,19 W/W |
| EER | 1,89 kCal/Wh |
| Input Power | 579 W |
| Current | 3,02 A |

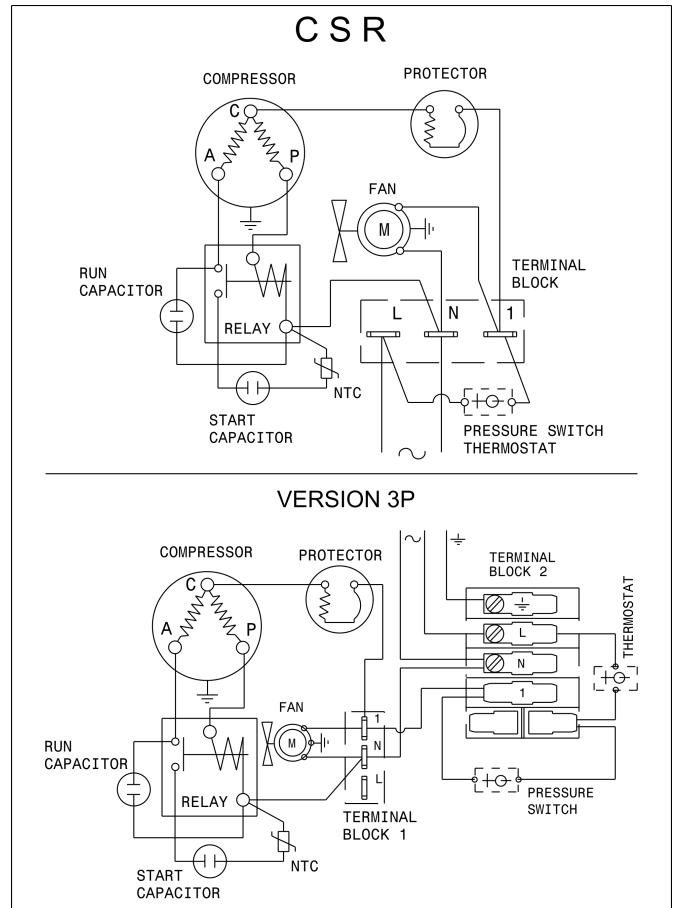
TEST CYCLE CONDITIONS

| | HMBP |
|---------------------------------------|-------------|
| Evaporating temp. (T _e) | 7,2 °C |
| Condensing temp. (T _c) | 55,0 °C |
| Liquid temp. (T _{liq.}) | 46,0 °C |
| Ambient temp. (T _{amb.}) | 35,0 °C |
| Suction temp. (T _{suction}) | 35,0 °C |
| Voltage/Frequency | 220 V 50 Hz |

CONDENSER AND FAN DATA

| | |
|----------------------|----------------------|
| Condenser type | CU-AL |
| Condenser model | 10T 4R |
| Fan blade (Ø mm / °) | 254 / 34 |
| Fan motor | 25W 220-240V 50/60Hz |

WIRING DIAGRAM



REFRIGERATION CAPACITY (W) Evaporating Temperature (°C)

| Model | Motor | -25 | -15 | -5 | 5 | 7.2 | | | 10 |
|-------------|-------|-----|-----|-----|------|------|------|------|------|
| | | | | | | W | Winp | A | |
| CGPY14RAb_N | CSR | 442 | 618 | 867 | 1190 | 1270 | 579 | 3.02 | 1378 |

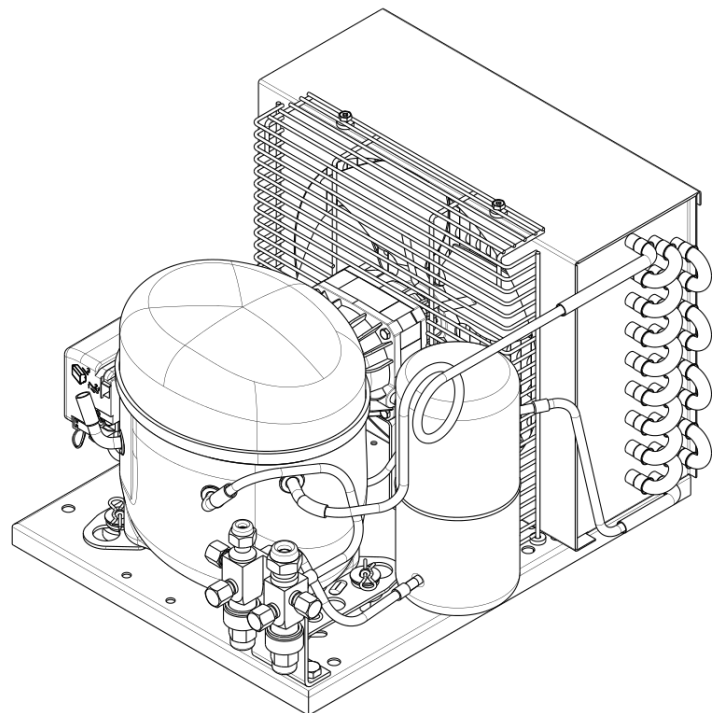
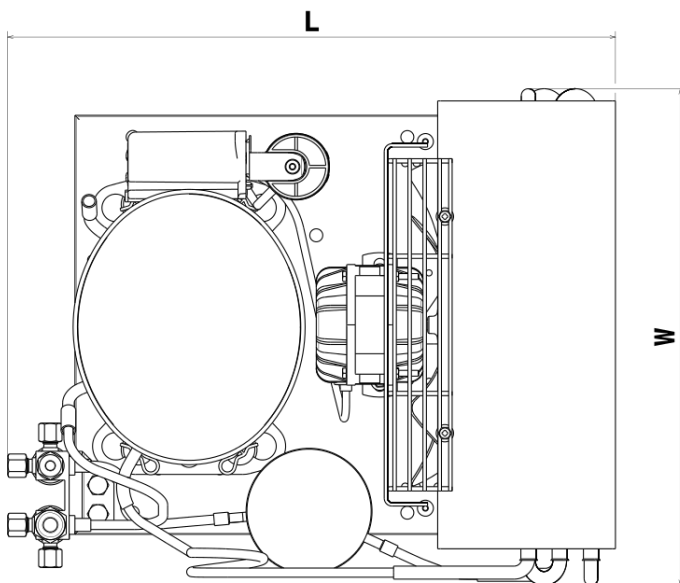
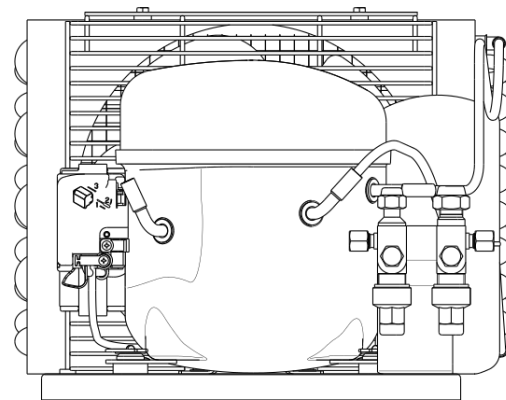
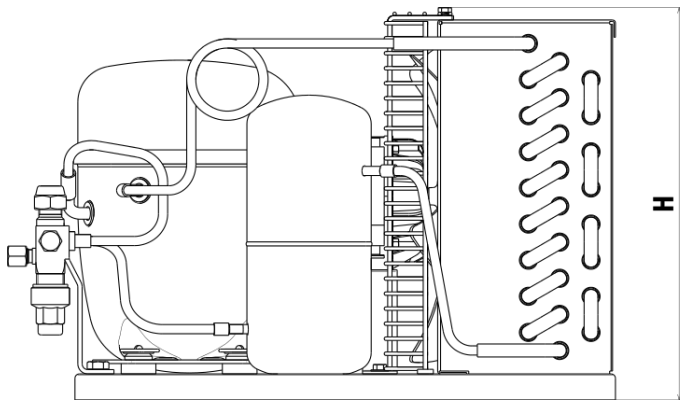
ASHRAE HMBP: Condensing temperature: 55°C, Liquid temperature: 46°C, Suction temperature: 35°C, Ambient temperature: 35°C

Condensing Unit Technical Data Sheet

VERSIONS

| VERSION 1 | VERSION 2 | VERSION 3 | VERSION 3P | VERSION 4 |
|---|---|---|---|---|
| Tube | Service valve | Service valve and receiver | Service valve, receiver, pressure switch | Schrader valve on the service port |
| Suction tube internal diam.: 8,1 mm Discharge tube internal diam.: 6,5 mm Net Weight: 21,8 Kg | Suction valve: 3/8" Discharge valve: 3/8" Net Weight: 22,2 Kg | Receiver vol.: 1,1 l Suction valve: 3/8" Discharge valve: 3/8" Net Weight: 23,5 Kg | Receiver vol.: 1,1 l Suction valve: 3/8" Discharge valve: 3/8" Net Weight: 24,6 Kg | Suction tube internal diam.: 8,1 mm Discharge tube internal diam.: 6,5 mm Net Weight: 21,8 Kg |

DIMENSIONS (Version 3 drawing)



| VERSION 1-4 (WxLxH) (mm) | VERSION 2 (WxLxH) (mm) | VERSION 3 (WxLxH) (mm) | VERSION 3P (WxLxH) (mm) |
|-----------------------------|---------------------------|---------------------------|----------------------------|
| 350x490x300 | 355x510x300 | 355x510x300 | 355x540x300 |