

Condensing Unit Technical Data Sheet

Model CGPT18RA_N
Voltage 220-240V 50Hz ~1
Refrigerant R134a

APPLICATION

Application	High Back Pressure
Refrigerant	R134a
Evaporating Temp.	-15,0 °C to 10,0 °C
Expansion	Capillar/Valve
Comp. Cooling	Fan cooled
Max. ambient temp.	43,0 °C

COMPRESSOR

Displacement	18,00 cm ³
Diameter	32,60 mm
Stroke	21,11 mm
Oil type	ISO VG 32 ESTER
Oil charge	400 cm ³

MOTOR

Nominal Power	1/2 hp
Voltage/Frequency	220-240V 50Hz
Voltage range	187-255 V
Type	CSR
Phase number	1 PH
Locked Rotor Amps (LRA)	23,00 A
Max. Cont. Current (MCC)	5,50 A
Main W. resist. at 25°C	3,72 Ω
Start W. resist. at 25°C	7,09 Ω

NOMINAL PERFORMANCE

Cooling Capacity	1.633 W
COP	2,17 W/W
EER	1,86 kCal/Wh
Input Power	753 W
Current	4,03 A

ASHRAE

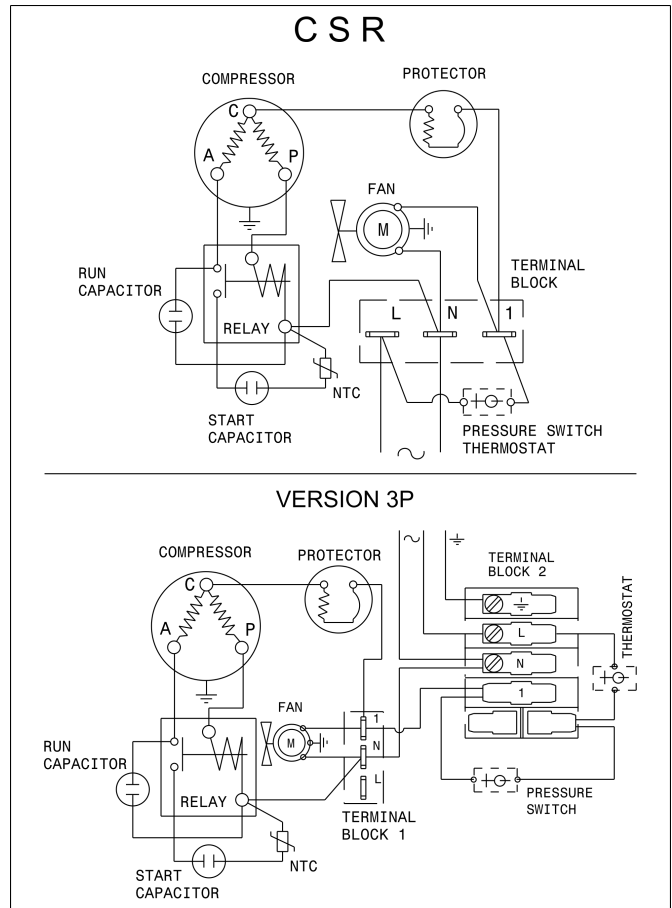
TEST CYCLE CONDITIONS

	HBP
Evaporating temp. (T _e)	7,2 °C
Condensing temp. (T _c)	55,0 °C
Liquid temp. (T _{liq.})	46,0 °C
Ambient temp. (T _{amb.})	35,0 °C
Suction temp. (T _{suction})	35,0 °C
Voltage/Frequency	220 V 50 Hz

CONDENSER AND FAN DATA

Condenser type	CU-AL
Condenser model	11T 4R
Fan blade (Ø mm / °)	254 / 34
Fan motor	25W 220-240V 50/60Hz

WIRING DIAGRAM



REFRIGERATION CAPACITY (W) Evaporating Temperature (°C)

Model	Motor	-25	-15	-5	5	7.2			10
						W	Winp	A	
CGPT18RA_N	CSR	-	791	1066	1518	1633	753	4.03	1786

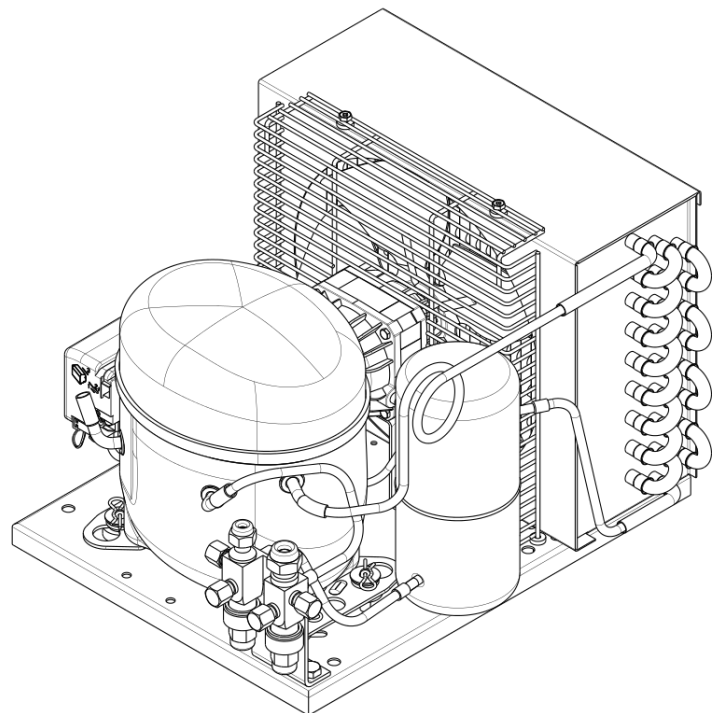
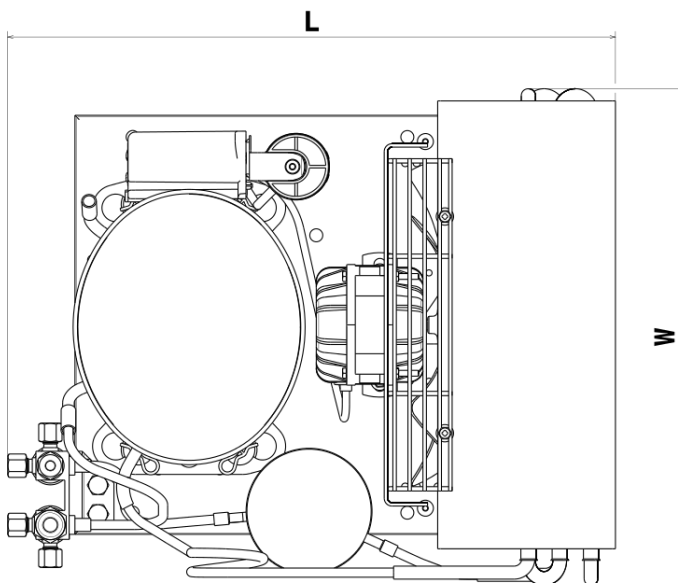
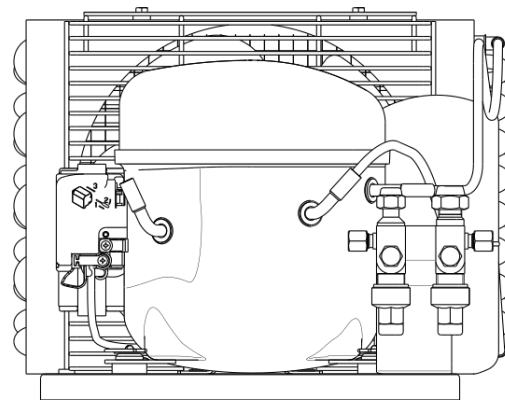
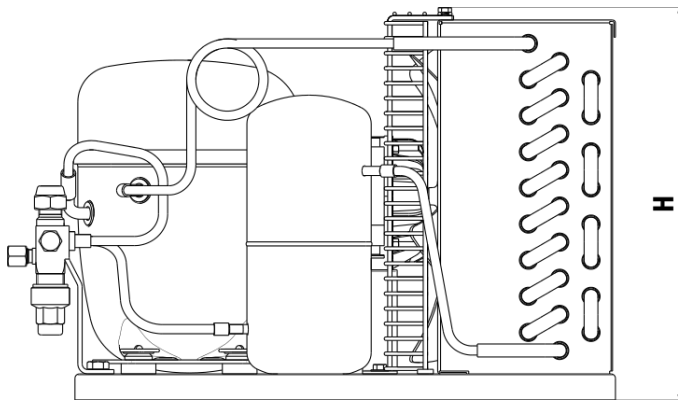
ASHRAE HBP: Condensing temperature: 55°C, Liquid temperature: 46°C, Suction temperature: 35°C, Ambient temperature: 35°C

Condensing Unit Technical Data Sheet

VERSIONS

VERSION 1	VERSION 2	VERSION 3	VERSION 3P	VERSION 4
Tube	Service valve	Service valve and receiver	Service valve, receiver, pressure switch	Schrader valve on the service port
Suction tube internal diam.: 8,1 mm Discharge tube internal diam.: 6,5 mm Net Weight: 27,3 Kg	Suction valve: 3/8" Discharge valve: 3/8" Net Weight: 27,7 Kg	Receiver vol.: 1,1 l Suction valve: 3/8" Discharge valve: 3/8" Net Weight: 29,0 Kg	Receiver vol.: 1,1 l Suction valve: 3/8" Discharge valve: 3/8" Net Weight: 30,1 Kg	Suction tube internal diam.: 8,1 mm Discharge tube internal diam.: 6,5 mm Net Weight: 27,3 Kg

DIMENSIONS (Version 3 drawing)



VERSION 1-4 (WxLxH) (mm)	VERSION 2 (WxLxH) (mm)	VERSION 3 (WxLxH) (mm)	VERSION 3P (WxLxH) (mm)
455x480x315	455x480x315	455x480x315	455x510x315