

# Condensing Unit Technical Data Sheet

**Model** CGLY12RAa\_N  
**Voltage** 220-240V 50Hz ~1  
**Refrigerant** R134a

### APPLICATION

Application	High Back Pressure
Refrigerant	R134a
Evaporating Temp.	-15,0 °C to 10,0 °C
Expansion	Capillar/Valve
Comp. Cooling	Fan cooled
Max. ambient temp.	43,0 °C

### COMPRESSOR

Displacement	10,70 cm <sup>3</sup>
Diameter	25,40 mm
Stroke	21,12 mm
Oil type	ISO VG 32 ESTER
Oil charge	350 cm <sup>3</sup>

### MOTOR

Nominal Power	3/8 hp
Voltage/Frequency	220-240V 50Hz
Voltage range	198-255 V
Type	CSIR
Phase number	1 PH
Locked Rotor Amps (LRA)	14,80 A
Max. Cont. Current (MCC)	3,60 A
Main W. resist. at 25°C	8,43 Ω
Start W. resist. at 25°C	31,30 Ω

### NOMINAL PERFORMANCE

Cooling Capacity	1.048 W
COP	1,99 W/W
EER	1,71 kCal/Wh
Input Power	527 W
Current	2,43 A

### ASHRAE

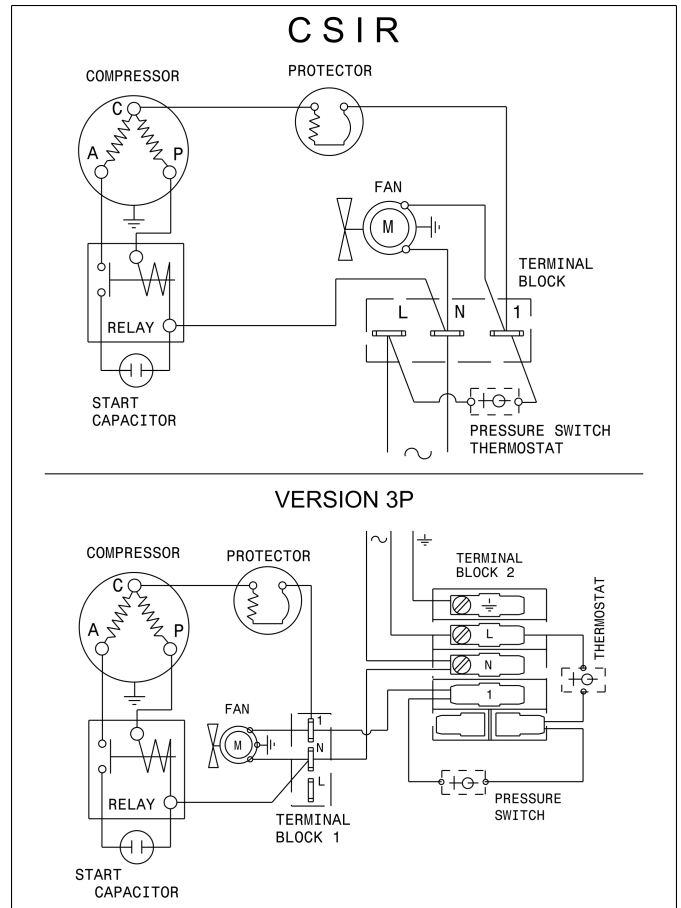
### TEST CYCLE CONDITIONS

	<b>HBP</b>
Evaporating temp. (T <sub>e</sub> )	7,2 °C
Condensing temp. (T <sub>c</sub> )	55,0 °C
Liquid temp. (T <sub>liq.</sub> )	46,0 °C
Ambient temp. (T <sub>amb.</sub> )	35,0 °C
Suction temp. (T <sub>suction</sub> )	35,0 °C
Voltage/Frequency	220 V 50 Hz

### CONDENSER AND FAN DATA

Condenser type	CU-AL
Condenser model	9T 3R
Fan blade (Ø mm / °)	230 / 28
Fan motor	10W 230V 50/60Hz

### WIRING DIAGRAM



### REFRIGERATION CAPACITY (W) Evaporating Temperature (°C)

Model	Motor	-25	-15	-5	5	7.2			10
						W	Winp	A	
CGLY12RAa_N	CSIR	-	422	662	971	1048	527	2.43	1151

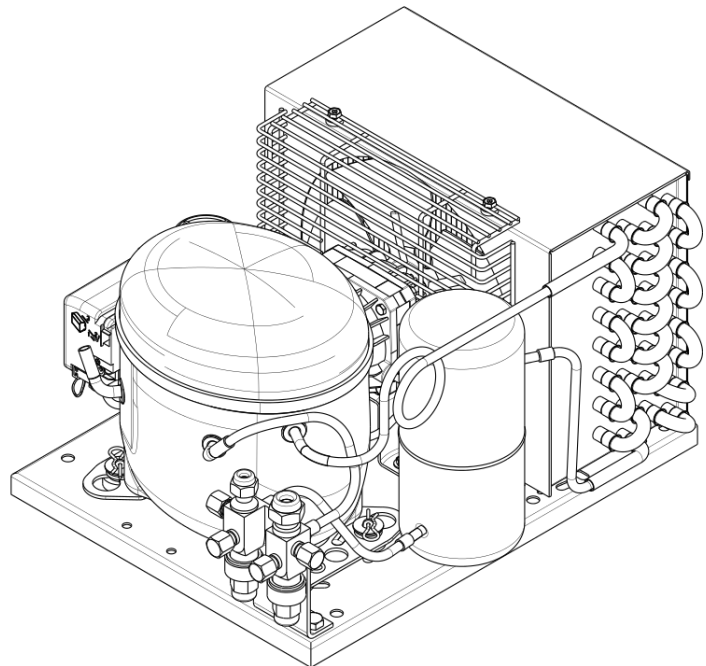
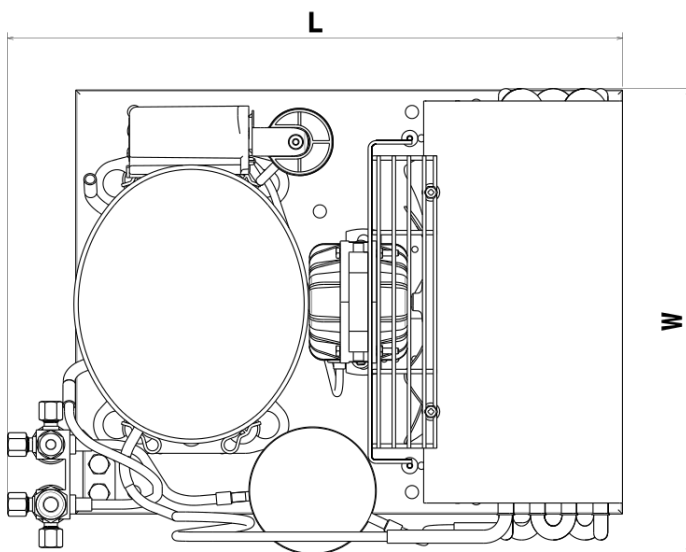
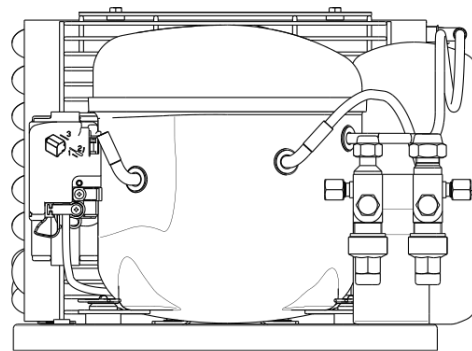
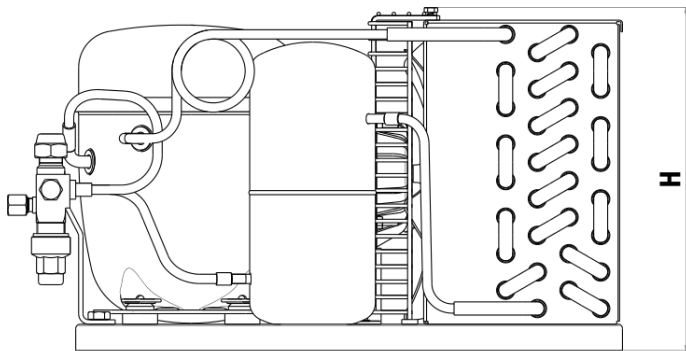
ASHRAE HBP: Condensing temperature: 55°C, Liquid temperature: 46°C, Suction temperature: 35°C, Ambient temperature: 35°C

# Condensing Unit Technical Data Sheet

## VERSIONS

VERSION 1	VERSION 2	VERSION 3	VERSION 3P	VERSION 4
<b>Tube</b>	<b>Service valve</b>	<b>Service valve and receiver</b>	<b>Service valve, receiver, pressure switch</b>	<b>Schrader valve on the service port</b>
Suction tube internal diam.: 8,1 mm Discharge tube internal diam.: 6,5 mm Net Weight: 19,7 Kg	Suction valve: 3/8" Discharge valve: 1/4" Net Weight: 20,2 Kg	Receiver vol.: 0,9 l Suction valve: 3/8" Discharge valve: 1/4" Net Weight: 20,5 Kg	Receiver vol.: 0,9 l Suction valve: 3/8" Discharge valve: 1/4" Net Weight: 21,6 Kg	Suction tube internal diam.: 8,1 mm Discharge tube internal diam.: 6,5 mm Net Weight: 19,7 Kg

## DIMENSIONS (Version 3 drawing)



VERSION 1-4 (WxLxH) (mm)	VERSION 2 (WxLxH) (mm)	VERSION 3 (WxLxH) (mm)	VERSION 3P (WxLxH) (mm)
345x385x275	345x425x275	345x425x275	350x435x275