

# Technical Data Sheet

Compressor model **B43H5L**  
 Voltage **110-120V 60Hz ~1**  
 Refrigerant **R134a**

## APPLICATION

Application Low Back Pressure  
 Refrigerant R134a  
 Evaporating Temp. -35,0 °C to -15,0 °C  
 Expansion Capillar  
 Comp. Cooling Static  
 Max. ambient temp. 43,0 °C  
 Compatible refriger. R1234yf

## COMPRESSOR

Displacement 4,30 cm<sup>3</sup>  
 Diameter 19,00 mm  
 Stroke 15,20 mm  
 Net Weight 5,00 Kg  
 Oil type ISO VG 15 ESTER  
 Oil charge 130 cm<sup>3</sup>

## MOTOR

Nominal Power 1/10 hp  
 Voltage/Frequency 110-120V 60Hz  
 Voltage range 94-127 V  
 Type RSIR  
 Phase number 1 PH  
 Locked Rotor Amps (LRA) 7,87 A  
 Max. Cont. Current (MCC) 2,40 A  
 Main W. resist. at 25°C 5,00 Ω  
 Start W. resist. at 25°C 6,70 Ω

## NOMINAL PERFORMANCE

	ASHRAE	CECOMAF
Cooling Capacity	95 kCal/h	82 W
COP	1,05 W/W	0,81 W/W
EER	0,90 kCal/Wh	0,70 kCal/Wh
Input Power	105 W	100 W
Current	1,54 A	1,49 A

## APPROVALS



## TEST CYCLE CONDITIONS

	ASHRAE LBP (B)	CECOMAF LBP (A)
Evaporating temp. (T <sub>e</sub> )	-23,3 °C	-25,0 °C
Condensing temp. (T <sub>c</sub> )	55,0 °C	55,0 °C
Liquid temp. (T <sub>liq.</sub> )	32,0 °C	55,0 °C
Ambient temp. (T <sub>amb.</sub> )	32,0 °C	32,0 °C
Suction temp. (T <sub>suction</sub> )	32,0 °C	32,0 °C
Voltage/Frequency	115 V 60 Hz	115 V 60 Hz

## ELECTRICAL COMPONENTS

Relay	Option 1	Option 2		
Reference	JPQII-4.7 (010)	QP2-4R7 (010)		
Voltage	V	V		
Resistance	Ω	Ω		
Protector	Option 1	Option 2		
Reference	BT68-135 (036)	DRB242S61A1 (036)		
Current				
Time check				
Disc temp. (Open/Close)				

## ASHRAE

Tc °C	Te °C	Cooling Capacity kCal/h	Consumption W	Current A	COP W/W	EER kCal/Wh
40	-35	46	66	1,39	0,81	0,70
40	-30	72	83	1,38	1,00	0,86
40	-25	98	98	1,46	1,17	1,00
40	-23,3	107	102	1,50	1,22	1,05
40	-20	124	109	1,59	1,33	1,14
40	-15	151	117	1,72	1,50	1,29
40	-10	178	122	1,81	1,70	1,46

45	-35	43	65	1,39	0,76	0,65
45	-30	68	83	1,38	0,95	0,82
45	-25	94	98	1,47	1,11	0,95
45	-23,3	103	103	1,52	1,16	1,00
45	-20	120	110	1,61	1,27	1,09
45	-15	147	119	1,76	1,43	1,23
45	-10	173	125	1,87	1,61	1,39

50	-35	39	65	1,40	0,71	0,61
50	-30	65	84	1,38	0,90	0,77
50	-25	90	99	1,48	1,06	0,91
50	-23,3	99	104	1,53	1,11	0,95
50	-20	116	112	1,63	1,21	1,04
50	-15	142	122	1,80	1,36	1,17
50	-10	169	128	1,93	1,53	1,32

55	-35	36	64	1,40	0,65	0,56
55	-30	61	84	1,38	0,85	0,73
55	-25	86	100	1,49	1,00	0,86
55	-23,3	95	105	1,54	1,05	0,90
55	-20	112	113	1,66	1,15	0,99
55	-15	138	124	1,84	1,29	1,11
55	-10	164	131	2,00	1,46	1,25

60	-35	33	63	1,40	0,60	0,52
60	-30	57	84	1,38	0,80	0,69
60	-25	82	101	1,49	0,95	0,82
60	-23,3	91	106	1,55	1,00	0,86
60	-20	108	115	1,68	1,09	0,94
60	-15	133	126	1,89	1,23	1,06
60	-10	159	134	2,07	1,38	1,19

65	-35	29	63	1,41	0,54	0,47
65	-30	54	84	1,38	0,75	0,64
65	-25	79	102	1,50	0,90	0,77
65	-23,3	87	107	1,57	0,95	0,81
65	-20	104	117	1,71	1,03	0,89
65	-15	129	128	1,94	1,17	1,01
65	-10	155	137	2,15	1,31	1,13

## CECOMAF

Tc °C	Te °C	Cooling Capacity W	Consumption W	Current A	COP W/W	EER kCal/Wh
40	-35	50	66	1,39	0,76	0,66
40	-30	78	83	1,38	0,94	0,81
40	-25	107	98	1,46	1,09	0,95
40	-23,3	117	102	1,50	1,14	0,99
40	-20	136	109	1,59	1,25	1,08
40	-15	165	117	1,72	1,41	1,22
40	-10	194	122	1,81	1,59	1,37

45	-35	45	65	1,39	0,69	0,59
45	-30	71	83	1,38	0,86	0,74
45	-25	98	98	1,47	1,00	0,86
45	-23,3	108	103	1,52	1,05	0,90
45	-20	126	110	1,61	1,14	0,98
45	-15	153	119	1,76	1,28	1,11
45	-10	181	125	1,87	1,45	1,25

50	-35	39	65	1,40	0,61	0,53
50	-30	65	84	1,38	0,77	0,67
50	-25	90	99	1,48	0,91	0,78
50	-23,3	99	104	1,53	0,95	0,82
50	-20	116	112	1,63	1,03	0,89
50	-15	142	122	1,80	1,16	1,01
50	-10	168	128	1,93	1,31	1,13

55	-35	34	64	1,40	0,53	0,46
55	-30	58	84	1,38	0,69	0,60
55	-25	82	100	1,49	0,81	0,70
55	-23,3	90	105	1,54	0,85	0,74
55	-20	106	113	1,66	0,93	0,80
55	-15	130	124	1,84	1,05	0,91
55	-10	155	131	2,00	1,18	1,02

60	-35	29	63	1,40	0,45	0,39
60	-30	51	84	1,38	0,61	0,52
60	-25	73	101	1,49	0,72	0,63
60	-23,3	81	106	1,55	0,76	0,66
60	-20	96	115	1,68	0,83	0,72
60	-15	119	126	1,89	0,94	0,81
60	-10	142	134	2,07	1,06	0,91

65	-35	23	63	1,41	0,37	0,32
65	-30	44	84	1,38	0,52	0,45
65	-25	65	102	1,50	0,64	0,55
65	-23,3	72	107	1,57	0,67	0,58
65	-20	86	117	1,71	0,74	0,64
65	-15	107	128	1,94	0,83	0,72
65	-10	129	137	2,15	0,94	0,81

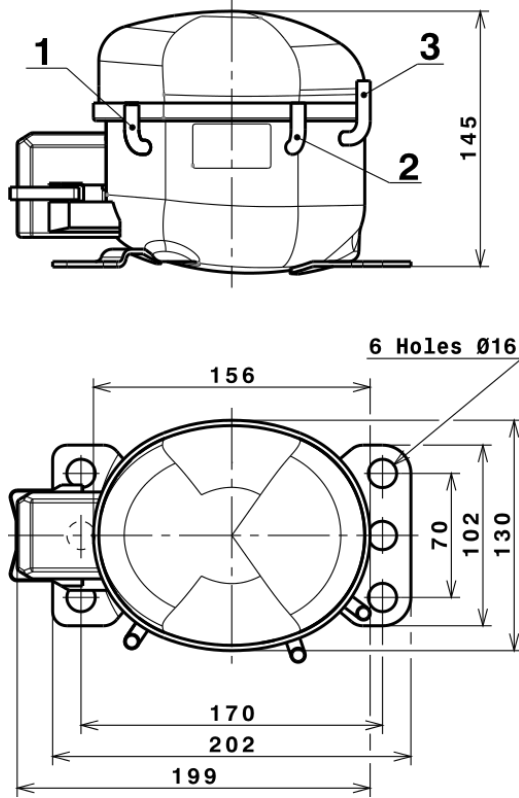
## EN12900

X	Cooling Capacity (W)	Consumption (W)	Current (A)	Mass Flow (kg/h)
1	381,2861629913	89,3107534602	1,6116417424	6,5891602650374
2	8,4326600218	-1,7322765109	0,0392123626	0,14838158071597
3	-3,3073167336	0,9145529506	0,0192062270	-0,024918275602717
4	0,0049254694	-0,0629169208	0,0009156362	0,00024964453539124
5	-0,0638187352	0,0300215237	0,0005320140	-0,00026580689237195

Equation	$x_1 + x_2Te + x_3Tc + x_4Te^2 + x_5TeTc$
----------	---

# Technical Data Sheet

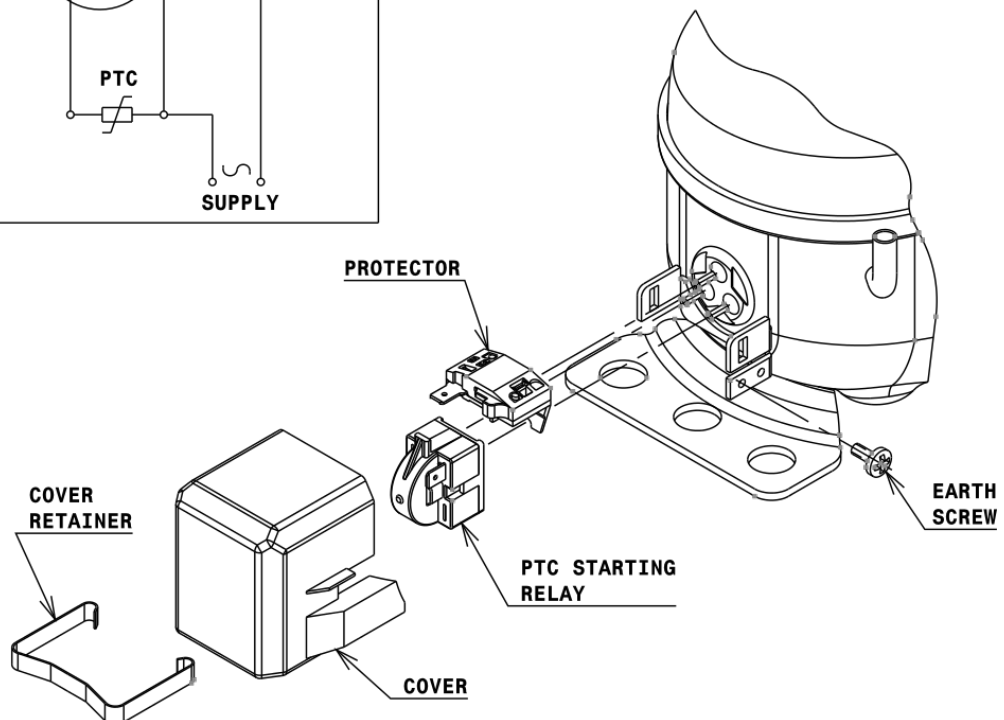
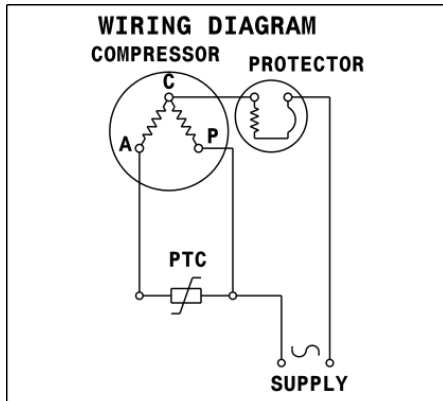
## COMPRESSOR DIMENSIONS



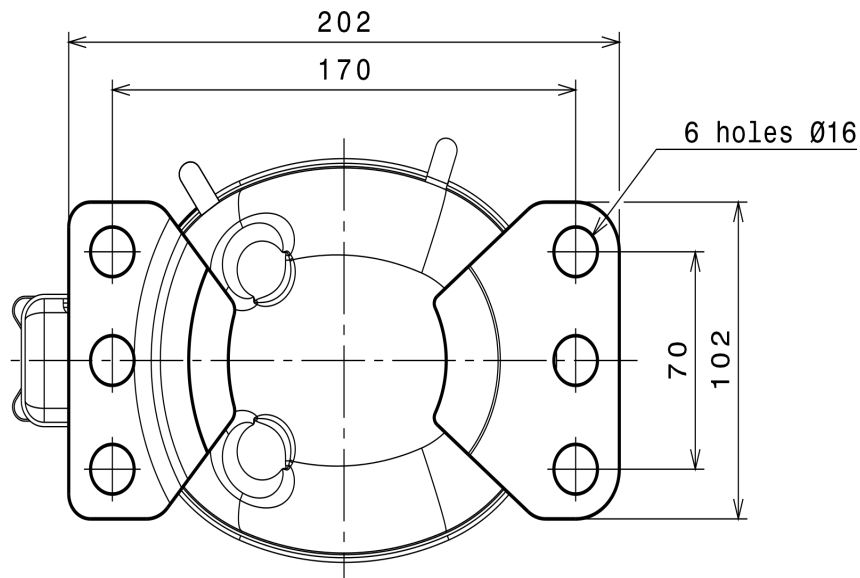
DESIGNATION	INTERNAL DIAM.
1 Suction	6,1 mm
2 Service	6,1 mm
3 Discharge	5,1 mm

## WIRING DIAGRAMS AND ELECTRICAL ASSEMBLY

### RSIR CONNECTION (PTC) (B, Small L ranges)



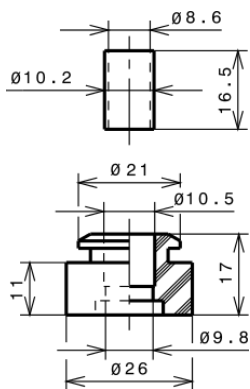
## FIXINGS



## SILENT BLOCKS (MOUNTING ACCESSORIES)

### STANDARD

Ø16 holes (170x70 net)



### SOA

SOA R134a LBP

