

Technical Data Sheet

Compressor model **B38H5L**
 Voltage **110-120V 60Hz ~1**
 Refrigerant **R134a**

APPLICATION

Application Low Back Pressure
 Refrigerant R134a
 Evaporating Temp. -35,0 °C to -15,0 °C
 Expansion Capillar
 Comp. Cooling Static
 Max. ambient temp. 43,0 °C
 Compatible refriger. R1234yf

COMPRESSOR

Displacement 3,80 cm³
 Diameter 19,00 mm
 Stroke 6,70 mm
 Net Weight 4,60 Kg
 Oil type ISO VG 15 ESTER
 Oil charge 130 cm³

MOTOR

Nominal Power 1/7 hp
 Voltage/Frequency 110-120V 60Hz
 Voltage range 94-127 V
 Type RSIR
 Phase number 1 PH
 Locked Rotor Amps (LRA) 12,00 A
 Main W. resist. at 25°C 5,95 Ω
 Start W. resist. at 25°C 8,50 Ω

NOMINAL PERFORMANCE

	ASHRAE	CECOMAF
Cooling Capacity	83 kCal/h	72 W
COP	1,06 W/W	0,83 W/W
EER	0,91 kCal/Wh	0,72 kCal/Wh
Input Power	91 W	87 W
Current	1,61 A	1,57 A

APPROVALS

TEST CYCLE CONDITIONS

	ASHRAE LBP (B)	CECOMAF LBP (A)
Evaporating temp. (T _e)	-23,3 °C	-25,0 °C
Condensing temp. (T _c)	55,0 °C	55,0 °C
Liquid temp. (T _{liq.})	32,0 °C	55,0 °C
Ambient temp. (T _{amb.})	32,0 °C	32,0 °C
Suction temp. (T _{suction})	32,0 °C	32,0 °C
Voltage/Frequency	115 V 60 Hz	115 V 60 Hz

ELECTRICAL COMPONENTS

Relay	Option 1	Option 2		
Reference	QP2-4R7	JPQII-4.7		
Voltage	110-120 V	110-115 V		
Resistance	Ω	Ω		
Protector	Option 1	Option 2		
Reference	DRB235P61A2	BT66-125		
Current				
Time check				
Disc temp. (Open/Close)	125,00 / 61,00 °C	125,00 / 61,00 °C		

Technical Data Sheet

ASHRAE

Tc °C	Te °C	Cooling Capacity kCal/h	Consumption W	Current A	COP W/W	EER kCal/Wh
40	-35	40	66	1,40	0,70	0,61
40	-30	61	74	1,47	0,96	0,82
40	-25	83	84	1,55	1,15	0,99
40	-23,3	91	88	1,58	1,20	1,03
40	-20	106	95	1,65	1,29	1,11
40	-15	130	108	1,77	1,39	1,20
40	-10	154	122	1,91	1,47	1,26

45	-35	39	65	1,39	0,69	0,59
45	-30	59	74	1,47	0,93	0,80
45	-25	81	85	1,56	1,10	0,95
45	-23,3	88	89	1,59	1,15	0,99
45	-20	103	97	1,66	1,24	1,06
45	-15	126	110	1,79	1,33	1,14
45	-10	150	125	1,94	1,40	1,20

50	-35	37	65	1,39	0,67	0,58
50	-30	57	75	1,47	0,90	0,77
50	-25	78	86	1,56	1,06	0,91
50	-23,3	86	90	1,60	1,11	0,95
50	-20	100	98	1,68	1,18	1,02
50	-15	123	113	1,81	1,27	1,09
50	-10	146	128	1,97	1,33	1,14

55	-35	36	64	1,38	0,65	0,56
55	-30	56	75	1,47	0,87	0,74
55	-25	76	87	1,57	1,02	0,88
55	-23,3	83	91	1,61	1,06	0,91
55	-20	97	100	1,69	1,13	0,97
55	-15	119	115	1,83	1,21	1,04
55	-10	142	131	2,00	1,26	1,08

60	-35	35	63	1,37	0,64	0,55
60	-30	54	75	1,47	0,84	0,72
60	-25	73	87	1,58	0,98	0,84
60	-23,3	80	92	1,62	1,02	0,87
60	-20	94	102	1,71	1,08	0,93
60	-15	116	117	1,86	1,15	0,99
60	-10	138	134	2,03	1,20	1,03

65	-35	33	63	1,37	0,62	0,53
65	-30	52	75	1,47	0,81	0,69
65	-25	71	88	1,58	0,94	0,81
65	-23,3	78	93	1,63	0,97	0,84
65	-20	91	103	1,72	1,03	0,89
65	-15	112	119	1,88	1,09	0,94
65	-10	134	137	2,06	1,14	0,98

CECOMAF

Tc °C	Te °C	Cooling Capacity W	Consumption W	Current A	COP W/W	EER kCal/Wh
40	-35	44	66	1,40	0,66	0,57
40	-30	67	74	1,47	0,90	0,78
40	-25	91	84	1,55	1,08	0,93
40	-23,3	99	88	1,58	1,13	0,98
40	-20	116	95	1,65	1,21	1,05
40	-15	141	108	1,77	1,31	1,13
40	-10	168	122	1,91	1,37	1,19

45	-35	40	65	1,39	0,62	0,53
45	-30	62	74	1,47	0,83	0,72
45	-25	85	85	1,56	0,99	0,86
45	-23,3	92	89	1,59	1,04	0,90
45	-20	108	97	1,66	1,11	0,96
45	-15	132	110	1,79	1,19	1,03
45	-10	156	125	1,94	1,25	1,08

50	-35	37	65	1,39	0,58	0,50
50	-30	57	75	1,47	0,77	0,66
50	-25	78	86	1,56	0,91	0,79
50	-23,3	85	90	1,60	0,95	0,82
50	-20	100	98	1,68	1,01	0,87
50	-15	122	113	1,81	1,08	0,94
50	-10	145	128	1,97	1,13	0,98

55	-35	34	64	1,38	0,53	0,46
55	-30	52	75	1,47	0,70	0,61
55	-25	72	87	1,57	0,83	0,72
55	-23,3	78	91	1,61	0,86	0,74
55	-20	92	100	1,69	0,92	0,79
55	-15	112	115	1,83	0,98	0,85
55	-10	134	131	2,00	1,02	0,88

60	-35	31	63	1,37	0,49	0,42
60	-30	48	75	1,47	0,64	0,55
60	-25	65	87	1,58	0,75	0,65
60	-23,3	71	92	1,62	0,78	0,67
60	-20	84	102	1,71	0,82	0,71
60	-15	103	117	1,86	0,88	0,76
60	-10	123	134	2,03	0,92	0,79

65	-35	28	63	1,37	0,44	0,38
65	-30	43	75	1,47	0,57	0,50
65	-25	59	88	1,58	0,67	0,58
65	-23,3	64	93	1,63	0,69	0,60
65	-20	76	103	1,72	0,73	0,63
65	-15	93	119	1,88	0,78	0,67
65	-10	111	137	2,06	0,81	0,70

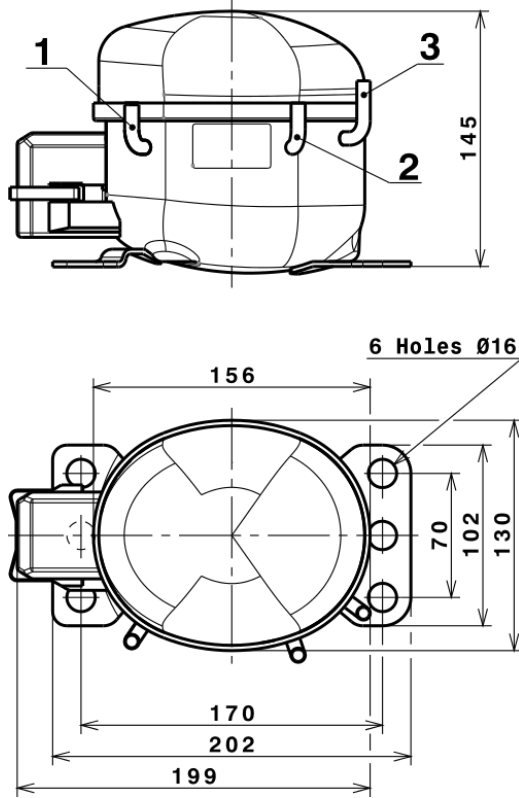
EN12900

X	Cooling Capacity (W)	Consumption (W)	Current (A)	Mass Flow (kg/h)
1	337,7178358975	121,5025839170	1,9139980718	5,9009428044597
2	8,2152922467	2,4066731193	0,0273997770	0,15185052532318
3	-2,9650837457	0,9145529506	0,0094131994	-0,024212732032522
4	0,0150605863	0,0290597377	0,0004055707	0,00049008118740912
5	-0,0662717858	0,0300215237	0,0003005096	-0,00051323064652659

Equation	$x_1 + x_2Te + x_3Tc + x_4Te^2 + x_5TeTc$
----------	---

Technical Data Sheet

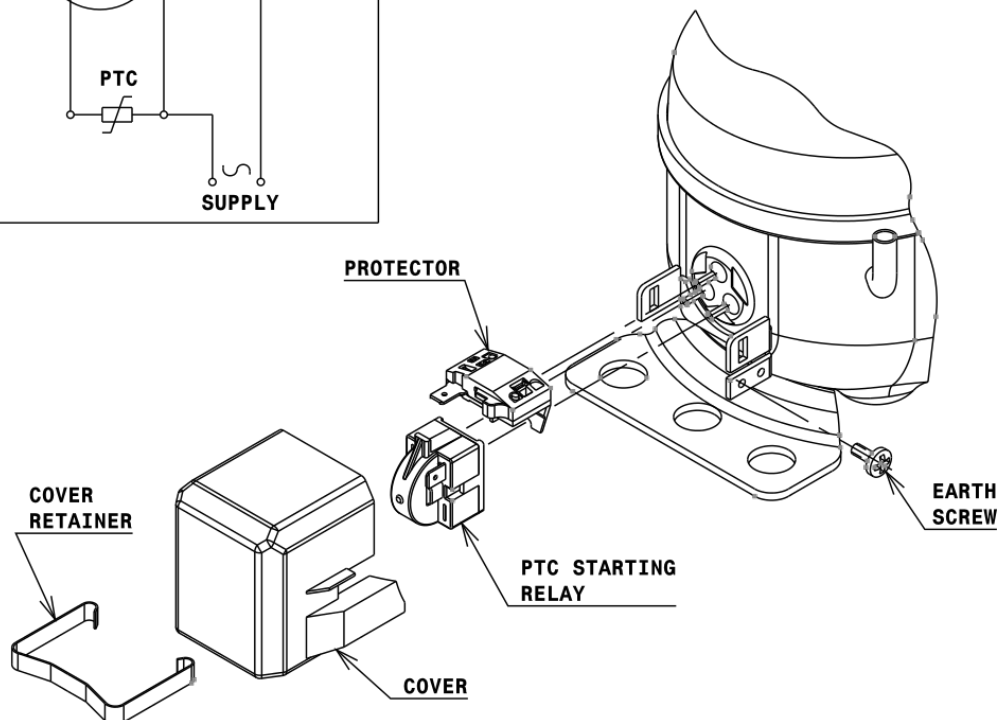
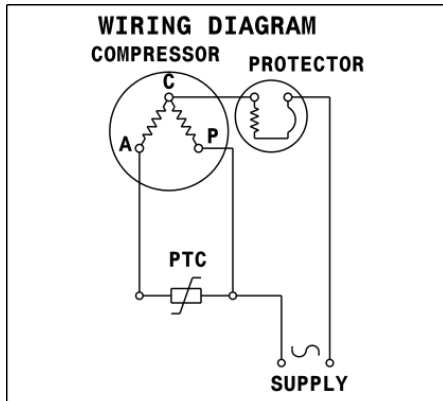
COMPRESSOR DIMENSIONS



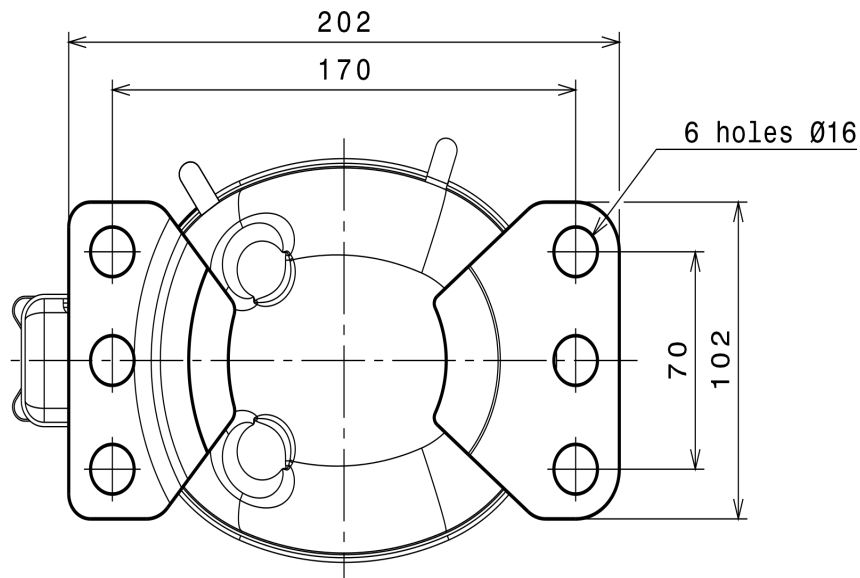
DESIGNATION	INTERNAL DIAM.
1 Suction	6,1 mm
2 Service	6,1 mm
3 Discharge	5,1 mm

WIRING DIAGRAMS AND ELECTRICAL ASSEMBLY

RSIR CONNECTION (PTC) (B, Small L ranges)



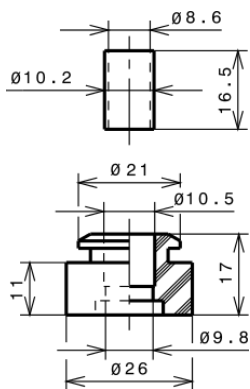
FIXINGS



SILENT BLOCKS (MOUNTING ACCESSORIES)

STANDARD

Ø16 holes (170x70 net)



SOA

SOA R134a LBP

