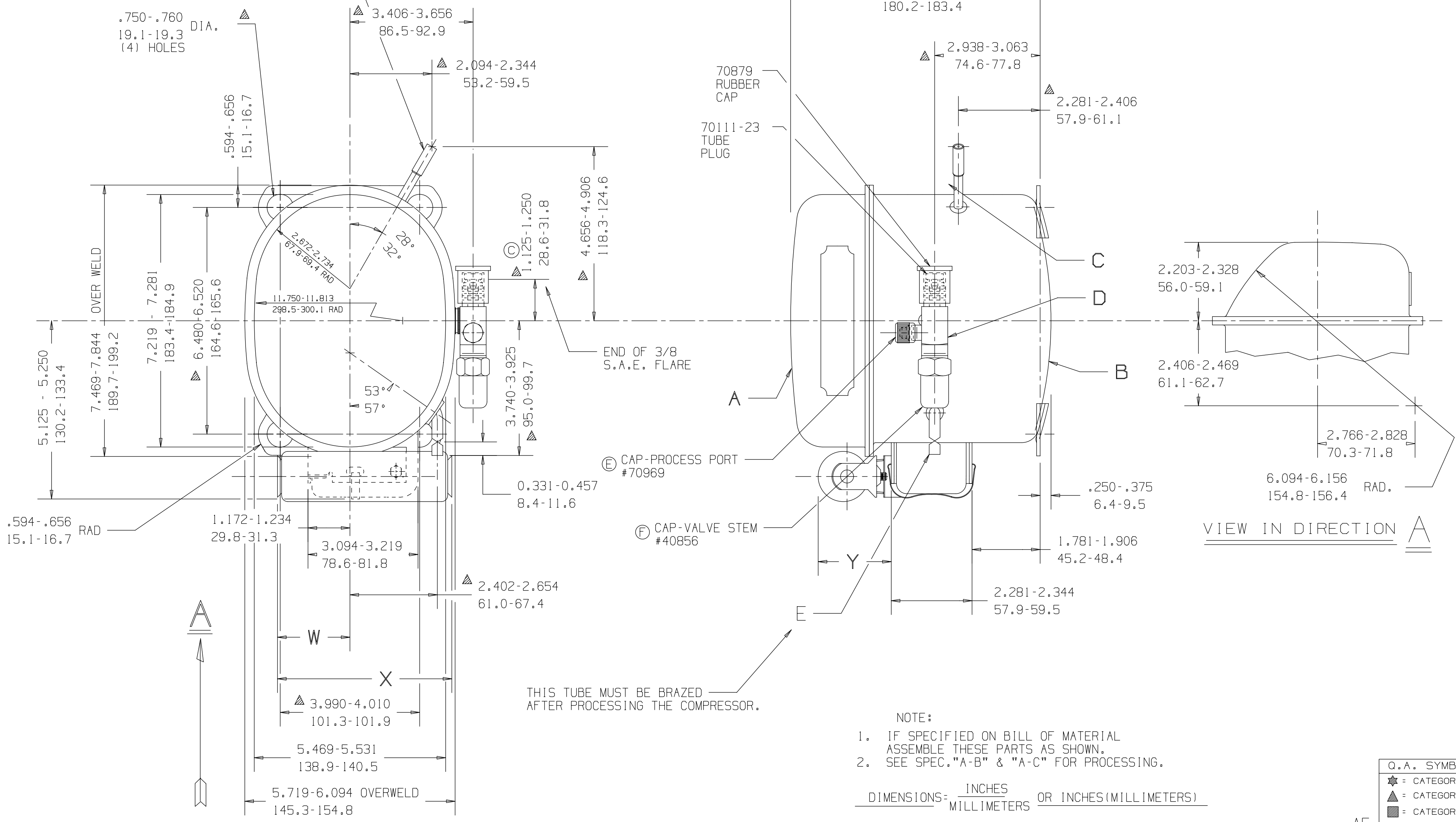


PART NO.
DCAE198

	DIM. W	DIM. X	DIM. Y
WITH 3.875(98.4) LONG CAPACITOR	1.453-1.703 36.9-43.3	4.078-4.141 103.6-105.2	—
WITH 1.438(36.5) DIA. CAPACITOR	—	—	1.969-2.031 50.0-51.6
WITH 4.875(123.8) LONG CAPACITOR	1.953-2.203 49.6-56.0	5.078-5.141 129.0-130.6	—
WITH 1.813(46.1) DIA. CAPACITOR	—	—	2.344-2.406 59.5-61.1

DISCHARGE - STEEL
O.D. - .247-.253 (6.3-6.4)
WALL - .025-.031 (0.6-0.8)
END I.D. - .253-.256 (6.4-6.5)
x .865-.885 (22.0-22.5)
PLUG, -2



NOTE:
1. IF SPECIFIED ON BILL OF MATERIAL ASSEMBLE THESE PARTS AS SHOWN.
2. SEE SPEC. "A-B" & "A-C" FOR PROCESSING.

DIMENSIONS = INCHES OR INCHES (MILLIMETERS)
MILLIMETERS

Q.A. SYMBOLS

★	= CATEGORY I
▲	= CATEGORY III
■	= CATEGORY IIII
□	= CATEGORY IV

A	32085
B	HA531-17
C	34358
① D	31580-1
② E	34690

CK.	APPR.	DATE	DIS. CODE	NAME
G	REEVES 1300198 #34690	6/20/91		BRODERICK
F	HMB #40856 ADDED #226858	3/11/93		McCAUGHEY
E	HMB #70969 ADDED #226858	3/11/93		BLANDEN
D	HMB WAS ALLI4B #226958	3/17/93		
C	HMB AS 594 (37.3-40.5) #226031	8/21/92		
B	HB NO CHANGE ON TO CAD #220853	6/20/91		
A	LT LC			

THIS DRAWING OR PRINT PRODUCES THE PRESENT COMPANY, INCLUDING AND CONTAINS INFORMATION BELONGING TO TECUMSEH. NO PART OF THIS INFORMATION CONTAINED HEREIN OR DISCLOSED THEREIN SHALL BE REPRODUCED, COPIED, OR TRANSMITTED IN ANY FORM OR BY ANY MEANS, WITHOUT THE EXPRESS AND WRITTEN PERMISSION OF TECUMSEH PRODUCTS CO. ANY UNAUTHORIZED USE OF THIS INFORMATION OR THE INFORMATION CONTAINED HEREIN IS PROHIBITED. THIS DRAWING IS THE PROPERTY OF TECUMSEH PRODUCTS CO. AND IS TO BE USED ONLY FOR THE PURPOSES SPECIFIED THEREIN. IT IS TO BE KEPT IN A SAFE PLACE AND NOT TO BE LOANED, REPRODUCED, COPIED, OR TRANSMITTED IN ANY MANNER WITHOUT THE WRITTEN CONSENT AND SIGNATURE OF THE DRAWING ENGINEER. THIS DRAWING IS TO BE KEPT IN A SAFE PLACE AND NOT TO BE LOANED, REPRODUCED, COPIED, OR TRANSMITTED IN ANY MANNER WITHOUT THE WRITTEN CONSENT AND SIGNATURE OF THE DRAWING ENGINEER.

DO NOT SCALE THIS DRAWING. ALL FERROUS DRAWING MATERIALS SHALL BE MAGNETIZED AS RECEIVED OR AT COMPRESSOR ASSEMBLY.

INTERNAL USE ONLY
p1:reeves\oe\ae-dcae198-g.cprt

SALES COMPRESSOR

TECUMSEH PRODUCTS CO.
TECUMSEH, MICHIGAN

SCALE 1"=2"

THIS PRINT SUPERSEDES ALL PRINTS PRIOR TO

PART NO.
DCAE198