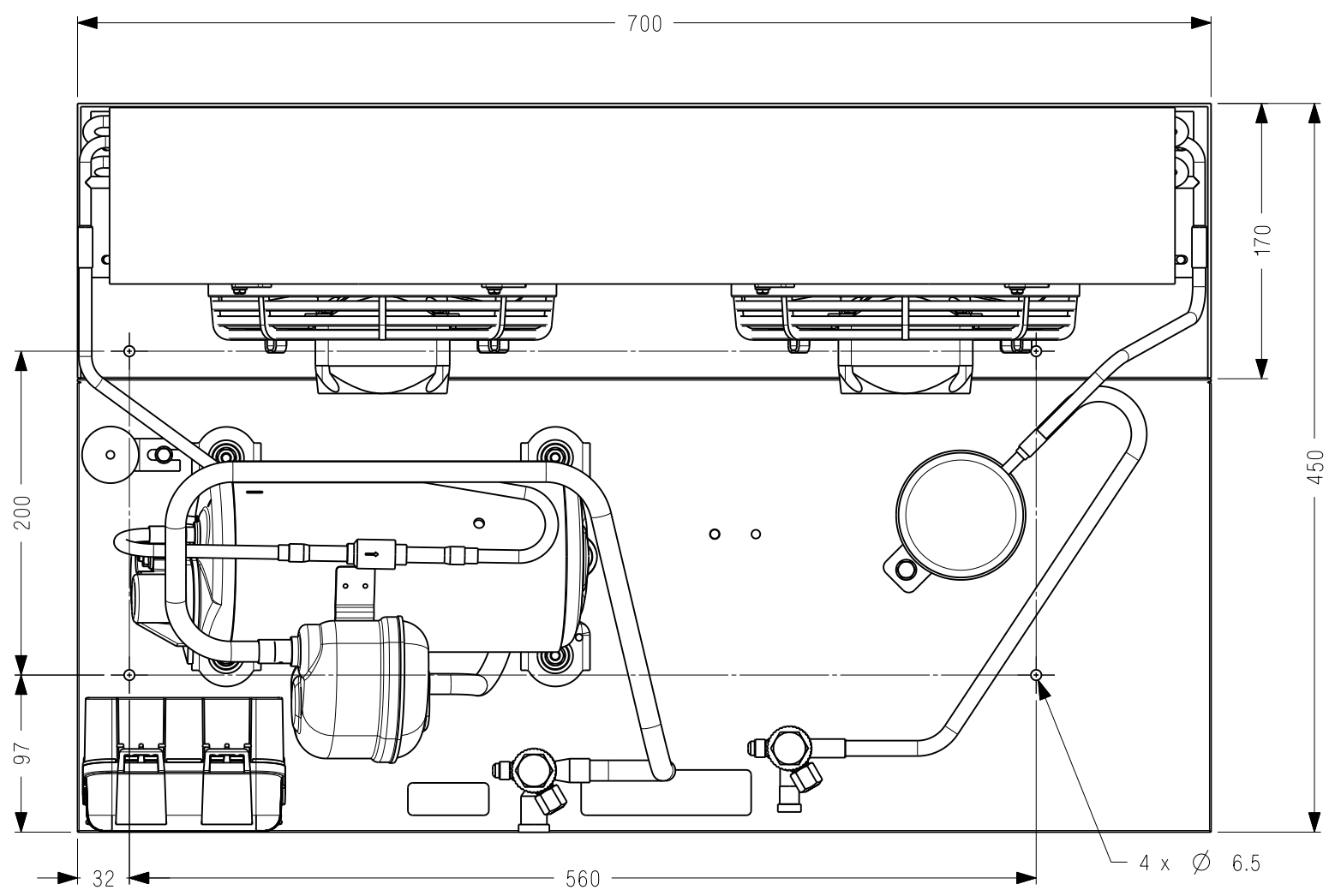
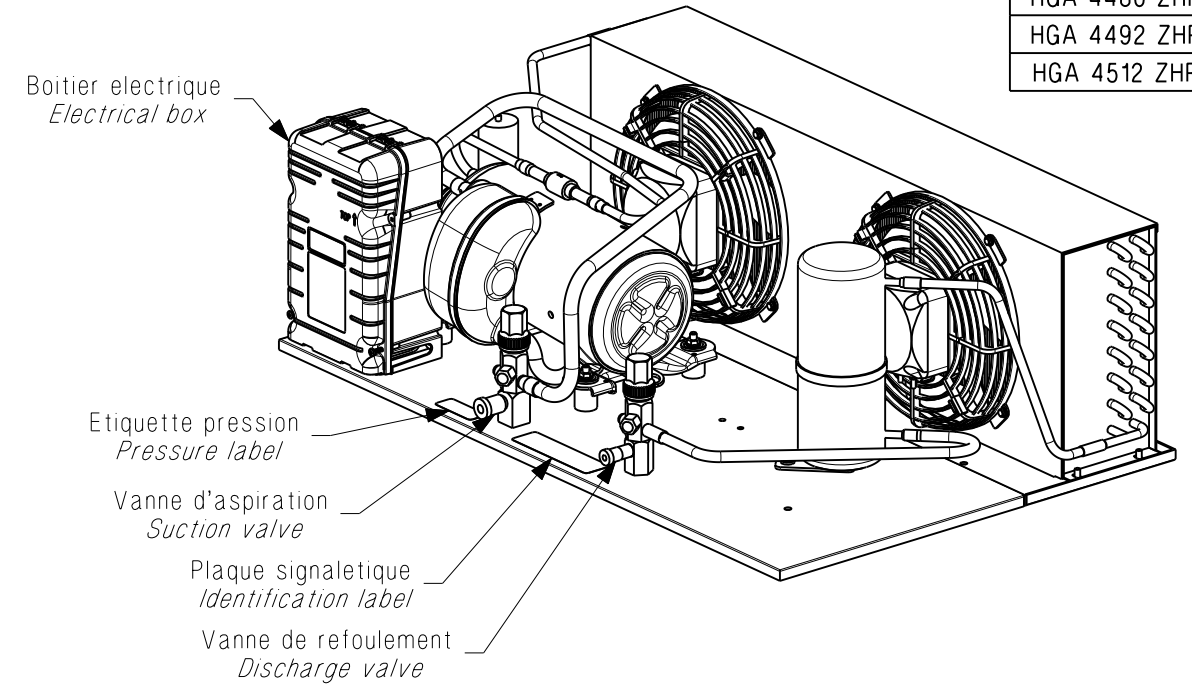
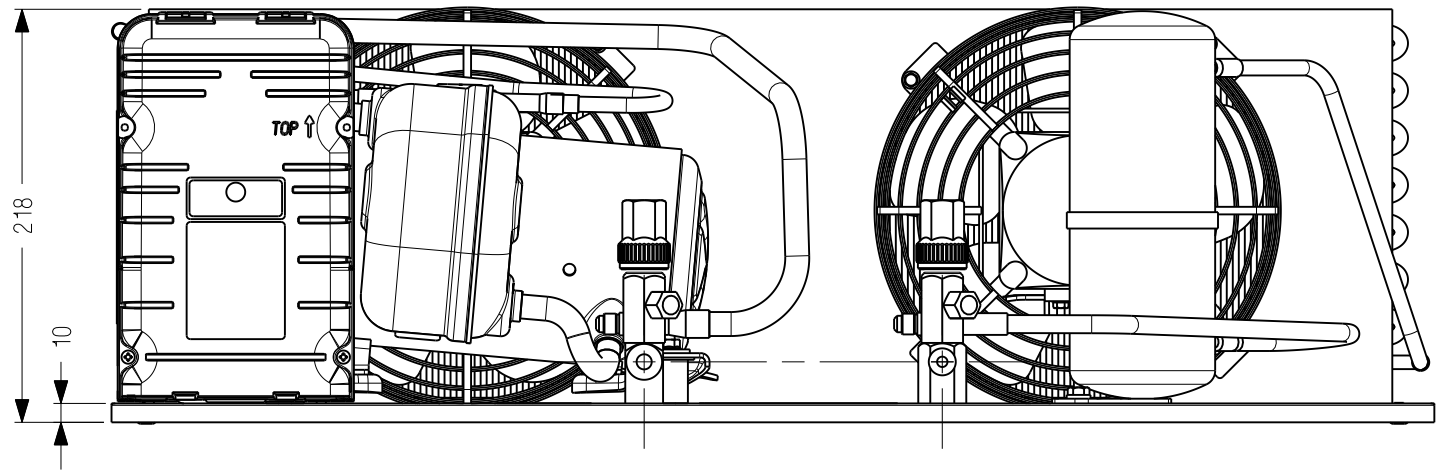


DG7201

NOTES

Type
HGA 2446 ZBR
HGA 4476 YHR
HGA 4480 ZHR
HGA 4492 ZHR
HGA 4512 ZHR



COTES CRITIQUES
Q.A. SYMBOLS

★	CATEGORIE 1	CATEGORY 1
▲	CATEGORIE 2	CATEGORY 2
■	CATEGORIE 3	CATEGORY 3
□	CATEGORIE 4	CATEGORY 4

CATEGORIES DEFINIES PAR SP7121
IN ACCORDANCE WITH SP7121

TYPE DE DIFFUSION
KIND OF PUBLICATION
(Rayer les mentions inutiles)
(Check off the useless informations)

<input type="checkbox"/>	BON POUR CONSULTATION FOR QUOTATION
<input type="checkbox"/>	BON POUR FABRICATION PRESERIE FOR SMALL PRODUCTION
<input type="checkbox"/>	BON POUR FABRICATION SERIE FOR LARGE PRODUCTION

Date : 01/10/07 Visa : R.PITIOT
Date: Sign:

A.M. File no.	Ind Rev	Rep. Mark	Modifications Change content	Date Date	Visa Sign	Verif Check
26118	b	---	Modif ventilation - Mise a jour	01/10/07	RP	FC
24691	a	---	Mise a jour plan	02/02/05	YB	OB
24531	-	---	Creation du plan	04/10/04	MV	SH

MATIERE : X
Material:

TOLERANCES GENERALES GENERAL TOLERANCES	lineaire: straight: ± 5 angulaire: angular: ± --	
--	---	--

Dessine par: Drawn by: M VINCENT	le: 04/10/04	ECH. Scale: -/-	ORIGINE Origin
Verifie par: Check by: S HABRARD	le: 04/10/04		-

GROUPE HGA Grand modele HGA LARGE CONDENSING UNIT	TECUMSEH EUROPE S.A. 38290 LA VERPILLIERE	Indice Revision
	DG7201	b

Ce plan est propriete exclusive de notre societe tous droits de reproduction et de diffusion reserves.
This drawing is the property of our society copyrights and publications reserved.

012-015-019-861 (4)
PUBLICATION :