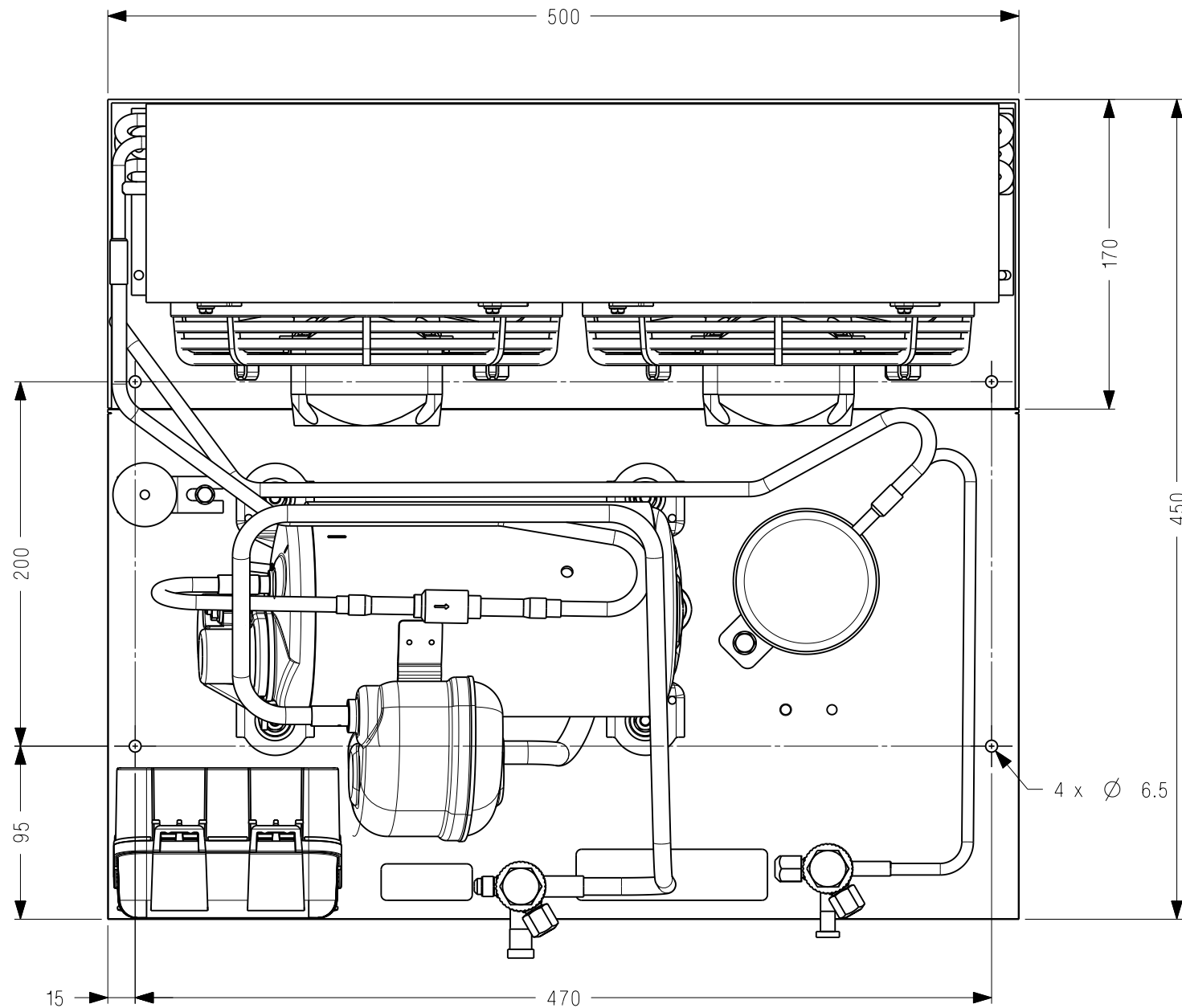
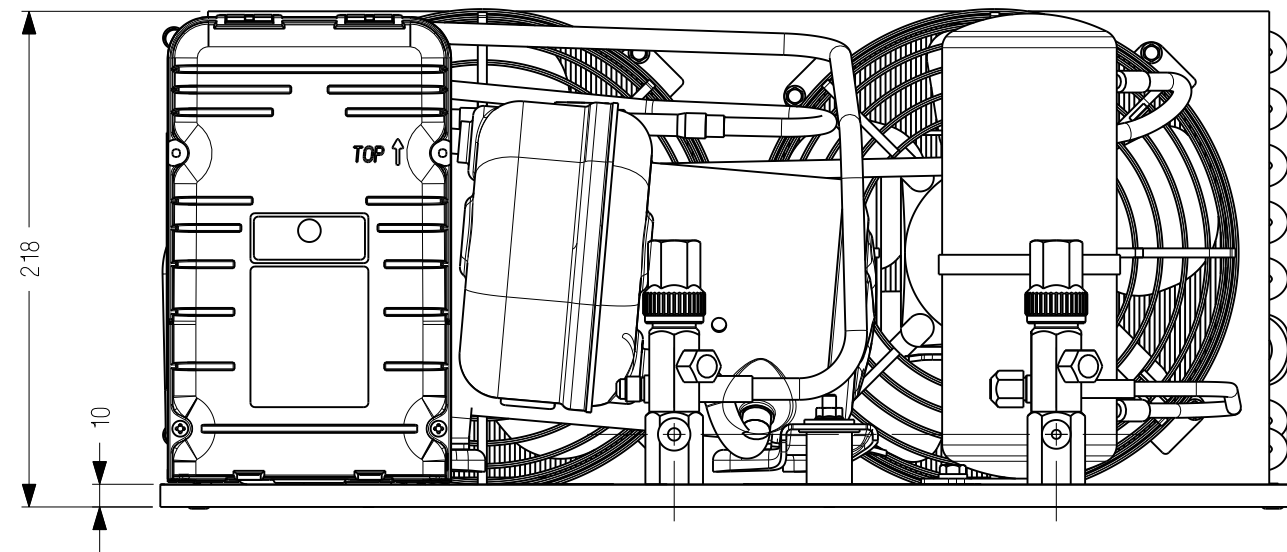


DG7200



Boitier électrique
Electrical box

Etiquette pression
Pressure label

Vanne d'aspiration
Suction valve

Plaque signalétique
Identification label

Vanne de refoulement
Discharge valve

NOTES

Type
HGA 2426 ZBR
HGA 2432 ZBR
HGA 2436 ZBR
HGA 4445 YHR
HGA 4450 YHR
HGA 4460 YHR
HGA 4467 ZHR

COTES CRITIQUES Q.A. SYMBOLS		
★	CATEGORIE 1	CATEGORY 1
▲	CATEGORIE 2	CATEGORY 2
■	CATEGORIE 3	CATEGORY 3
	CATEGORIE 4	CATEGORY 4
CATEGORIES DEFINIES PAR SP7121 IN ACCORDANCE WITH SP7121		

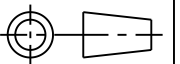
TYPE DE DIFFUSION KIND OF PUBLICATION	
(Rayer les mentions inutiles) (Check off the useless informations)	
<input type="checkbox"/>	BON POUR CONSULTATION FOR QUOTATION
<input type="checkbox"/>	BON POUR FABRICATION PRESERIE FOR SMALL PRODUCTION
<input type="checkbox"/>	BON POUR FABRICATION SERIE FOR LARGE PRODUCTION
Date : 01/10/07	Visa : R.PIT10T
Date:	Sign:

A.M. File no.	Ind Rev	Rep. Mark	Modifications Change content	Date Date	Visa Sign	Verif Check
26118	b	---	Modif ventilation - Mise a jour	01/10/07	RP	FC
24691	a	---	Mise a jour plan	02/02/05	YB	OB
24531	-	---	Creation du plan	04/10/04	MV	SH

MATIERE : X
Material:

TOLERANCES GENERALES
GENERAL TOLERANCES

lineaire: ± 5
straight:
angulaire: ± --
angular:



Dessine par:
Drawn by: M VINCENT
Verifie par:
Check by: S HABRARD

le: 04/10/04
le: 04/10/04

ECH. -1-
Scale

ORIGINE Origin
-

GROUPE HGA
Petit modele
HGA SMALL
CONDENSING UNIT

TECUMSEH EUROPE S.A.
38290 LA VERPILLIERE

DG7200

Indice
Revision
b

Ce plan est propriete exclusive de notre societe tous droits de reproduction et de diffusion reserves.
This drawing is the property of our society copyrights and publications reserved.

012-015-019-861 (4)
PUBLICATION: